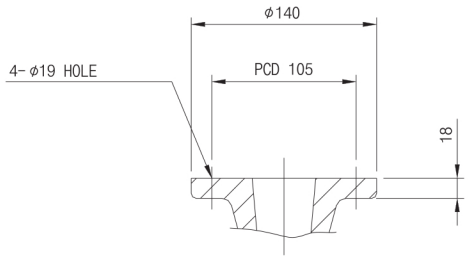
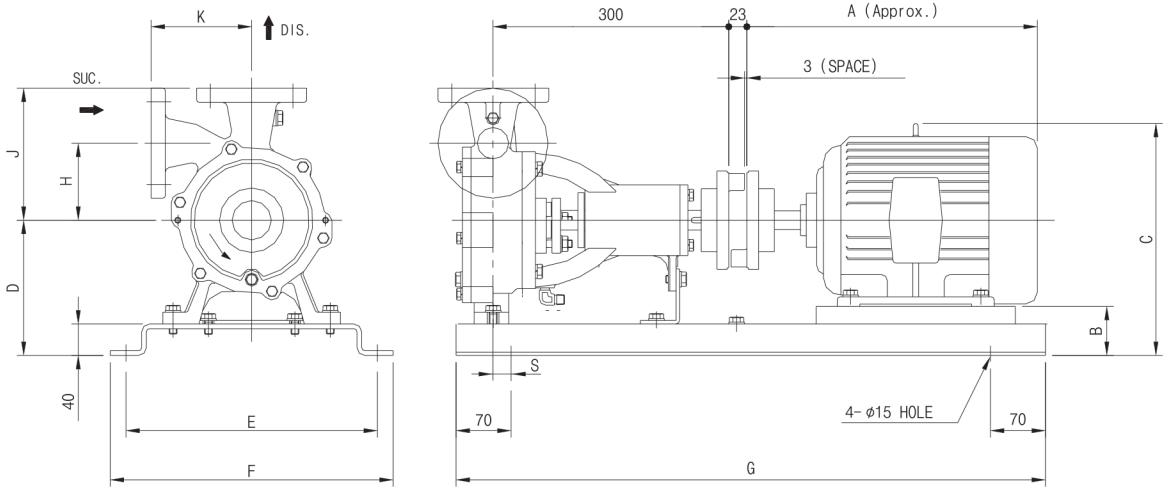
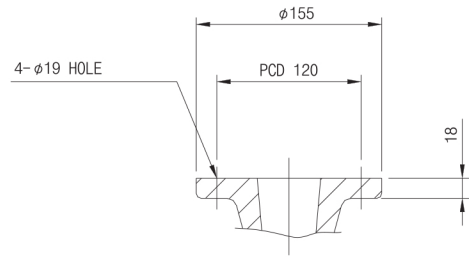


외형도 & 외형 치수표



HWE-40 FLANGE (KS 10k F.F)



HWE-50 FLANGE (KS 10k F.F)

모 델	동력 (HP)	Pump & Motor Dimension											Bearing No
		A	B	C	D	E	F	G	H	J	K	S	
HWE 40A	3	376	72	320	172	320	360	750	98	170	130	23	6305ZZ
HWE 40B	5	378	60	340									
HWE 40C	7.5	442	40	360									
HWE 40D	10	481	40	360									
HWE 50A	5	378	60	340	172	320	360	750	100	180	140	25	6305ZZ
HWE 50B	7.5	442	40	360									
HWE 50C	10	481	40	360									
HWE 50D	15	588	40	424									
HWE 50F	15	588	40	424	200	380	420	850	100	180	140	25	6305ZZ
	20	632						850					