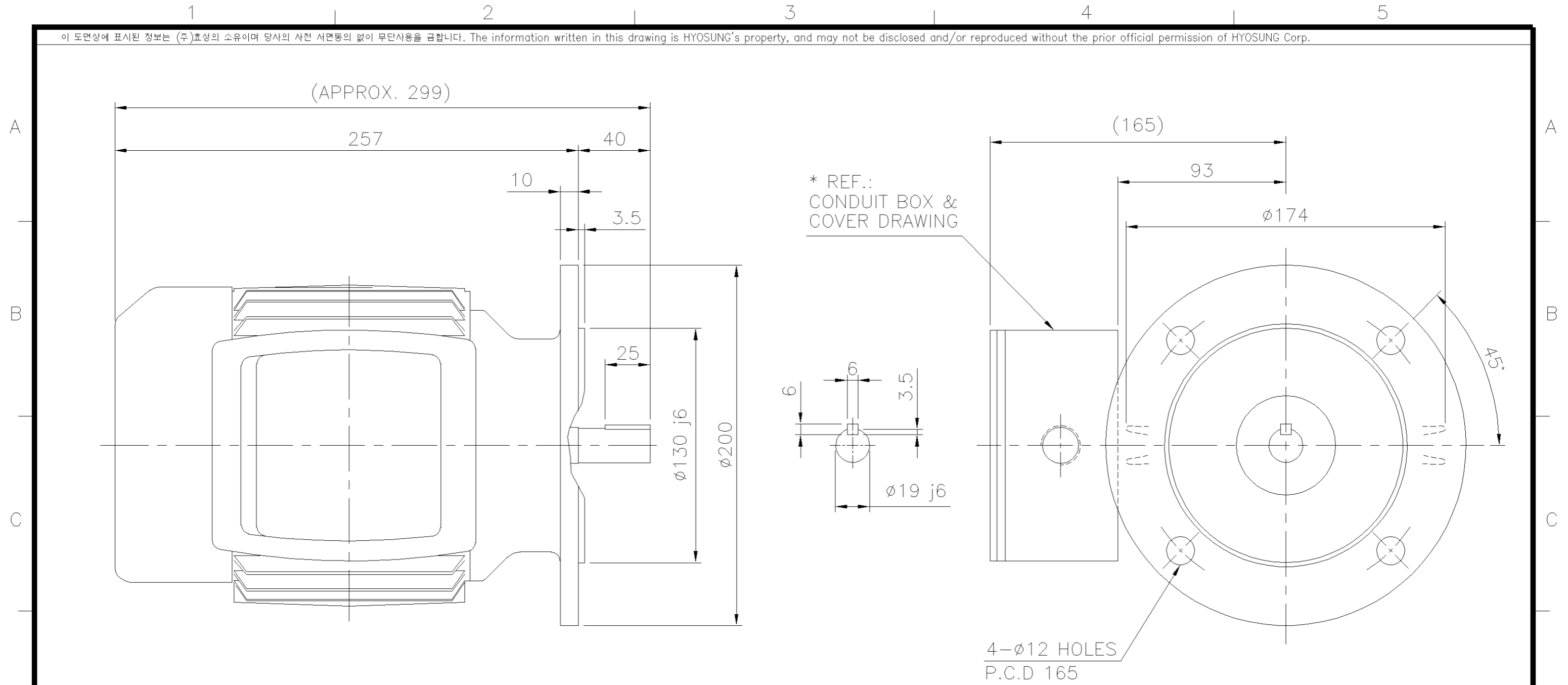


이 도면상에 표시된 정보는 (주)효성의 소유이며 당사의 사전 서면동의 없이 무단사용을 금합니다. The information written in this drawing is HYOSUNG's property, and may not be disclosed and/or reproduced without the prior official permission of HYOSUNG Corp.



<NOTE>

- 1) THE CONDUIT BOX CAN BE LOCATED ON OPPOSITE SIDE IF CUSTOMER WANTS IT.
- 2) THE CONDUIT BOX MAY BE ROTATED STEPS OF 90°.
- 3) UNIT : mm

TYPE AC MOTOR TE-F/EP-F FR.80M					DWG. NAME OUTLINE DIMENSIONS				
DRAWN	DESIGN	CHECKED	REVIEWED	APPROVED		SCALE	1/3	DATE	2011-06-01
	 2011/06/01	 2011/06/01	 2011/06/02	 2011/06/03	REF. DWG. NO.				UNIT mm
HYOSUNG					DWG. NO.	DSMK11392H01			