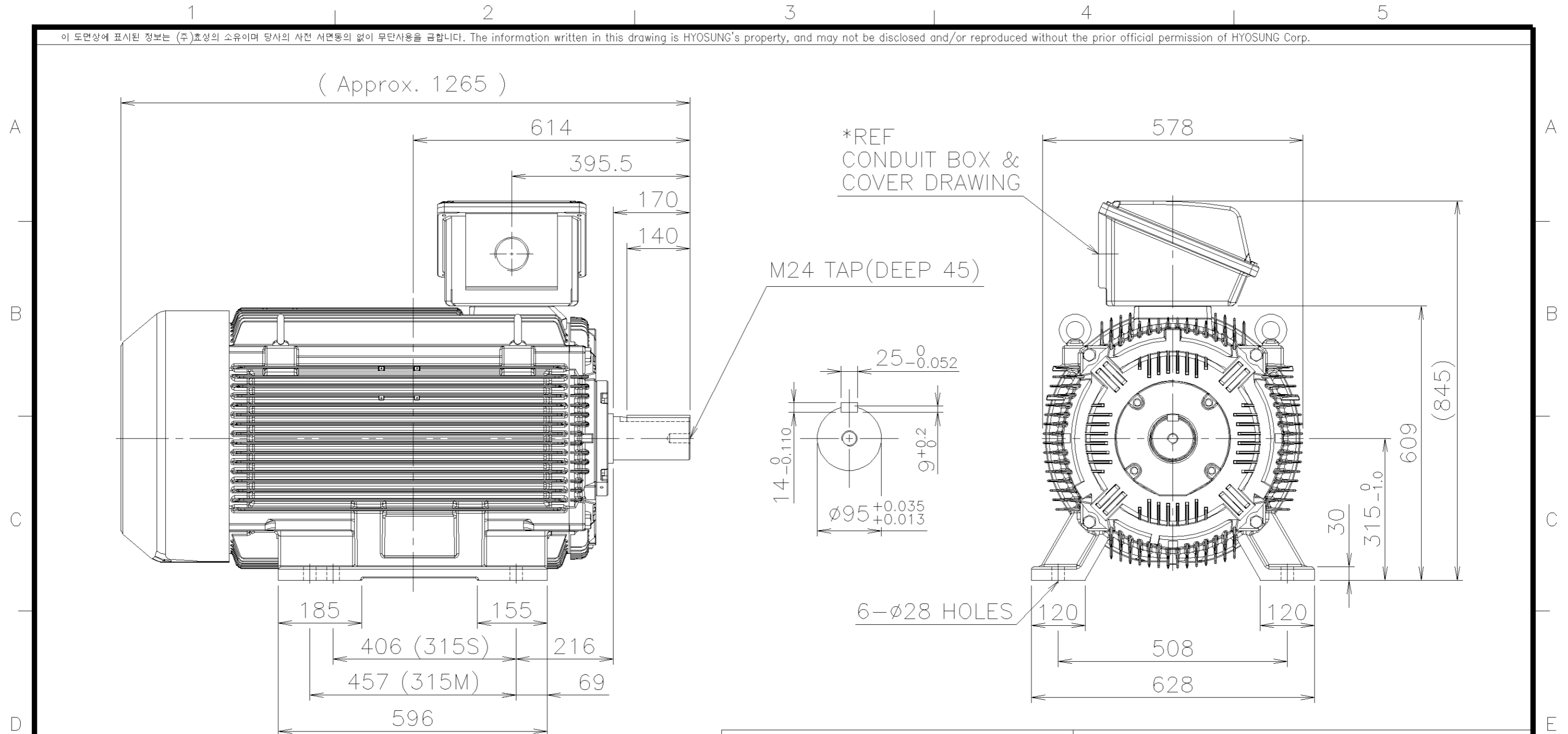


이 도면상에 표시된 정보는 (주)효성의 소유이며 당사의 사전 서면동의 없이 무단사용을 금합니다. The information written in this drawing is HYOSUNG's property, and may not be disclosed and/or reproduced without the prior official permission of HYOSUNG Corp.



<NOTE>

- 1) THE CONDUIT BOX MAY BE ROTATED STEPS OF 90°.
- 2) STEEL HOOD & CAST IRON C/B.

TYPE AC MOTOR TE/EP FR.315S,M 4P~					DWG. NAME OUTLINE DIMENSIONS 전동기 외형치수도				
DRAWN	DESIGN	CHECKED	REVIEWED	APPROVED		SCALE	1/12	DATE	2011-06-01
					REF. DWG. NO.				UNIT mm
					DWG. NO.	DMMK10025H14			