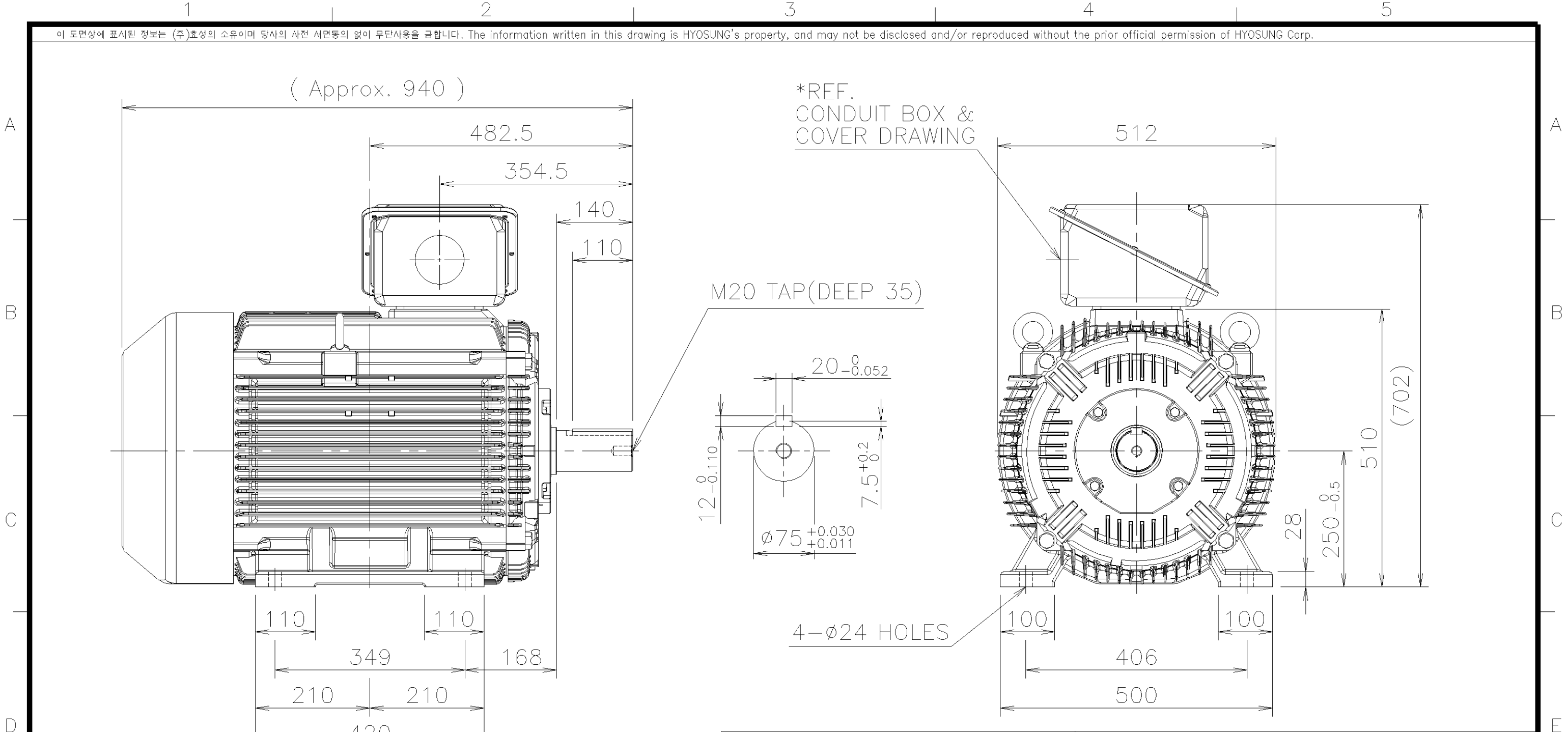


이 도면상에 표시된 정보는 (주)효성의 소유이며 당사의 사전 서면동의 없이 무단사용을 금합니다. The information written in this drawing is HYOSUNG's property, and may not be disclosed and/or reproduced without the prior official permission of HYOSUNG Corp.



TYPE AC MOTOR TEFC FR.250M 4P~					DWG. NAME OUTLINE DIMENSIONS				
DRAWN	DESIGN	CHECKED	REVIEWED	APPROVED	SCALE	1/10	DATE	2011-06-07	

	REF. DWG. NO.	UNIT
		mm

		DWG. NO.	DMMK10924H08	
--	--	----------	--------------	--

<NOTE>
 1) THE CONDUIT BOX MAY BE ROTATED STEPS OF 90°.
 2) STEEL HOOD & STEEL C/B.