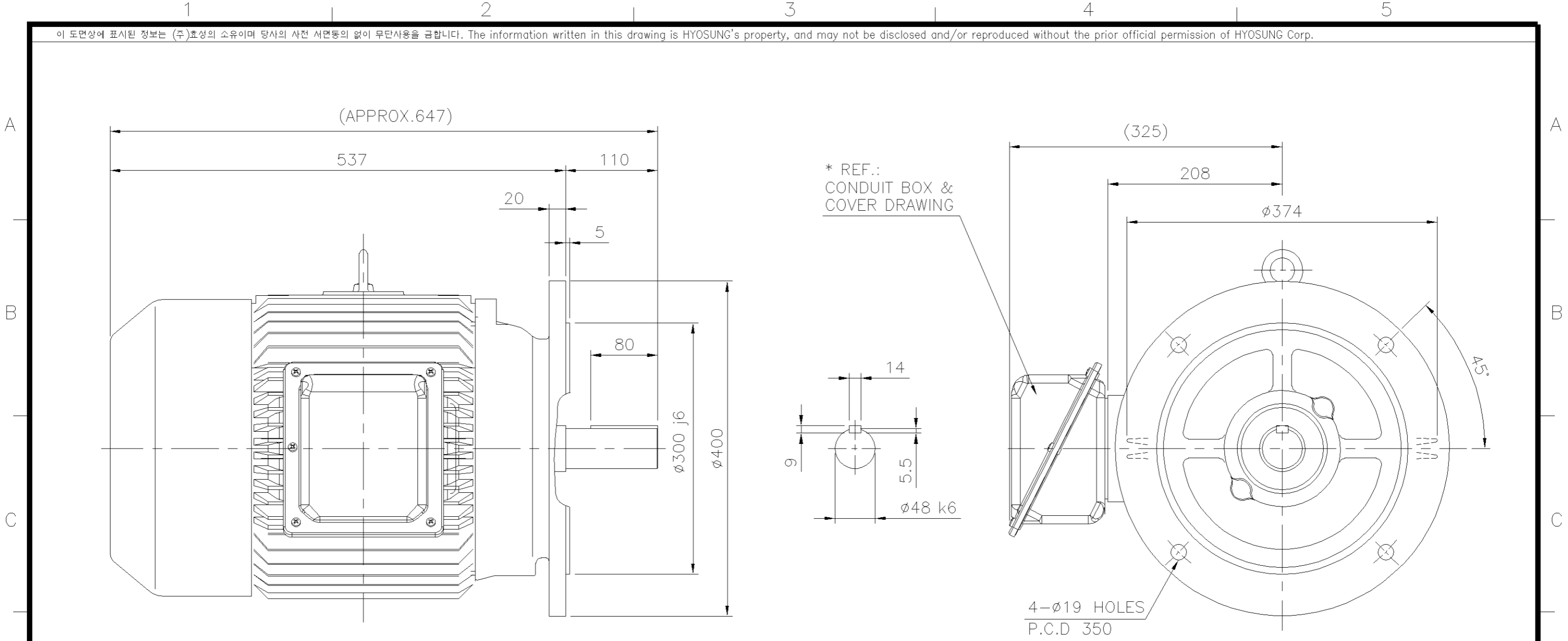


이 도면상에 표시된 정보는 (주)효성의 소유이며 당사의 사전 서면동의 없이 무단사용을 금합니다. The information written in this drawing is HYOSUNG's property, and may not be disclosed and/or reproduced without the prior official permission of HYOSUNG Corp.



<NOTE>

- 1) THE CONDUIT BOX CAN BE LOCATED ON OPPOSITE SIDE IF CUSTOMER WANTS IT.
- 2) THE CONDUIT BOX MAY BE ROTATED STEPS OF 90°.
- 3) STEEL HOOD & STEEL C/B.
- 4) UNIT : mm.

| | | | | | | | | | |
|------------------------------------|--------|---------|----------|----------|------------------------------|--------------|-------|------|------------|
| TYPE AC MOTOR TE-F/EP-F FR.180M | | | | | DWG. NAME OUTLINE DIMENSIONS | | | | |
| DRAWN | DESIGN | CHECKED | REVIEWED | APPROVED | | SCALE | 1/6.5 | DATE | 2011-03-17 |
| | | | | | REF. DWG. NO. | | | | UNIT mm |
| | | | | | DWG. NO. | DSMK11297H10 | | | |